



# RECESSED DRYER VENT BOX FOR RESIDENTIAL DRYERS

PRODUCT SPECIFICATIONS AND ENGINEERING INFORMATION  
SUBMITTAL DATA  
712-5-00

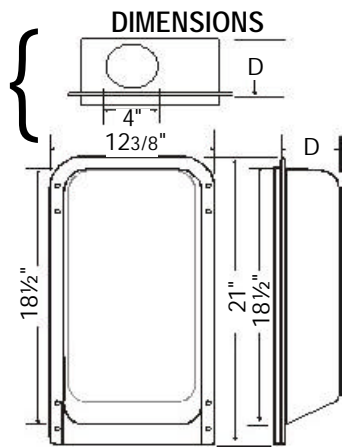
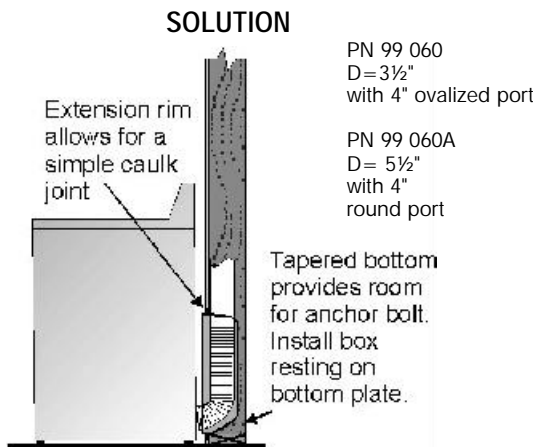
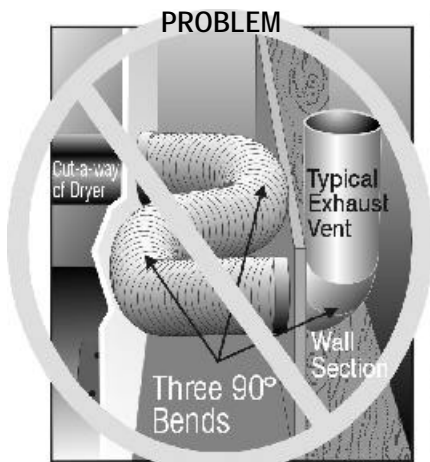
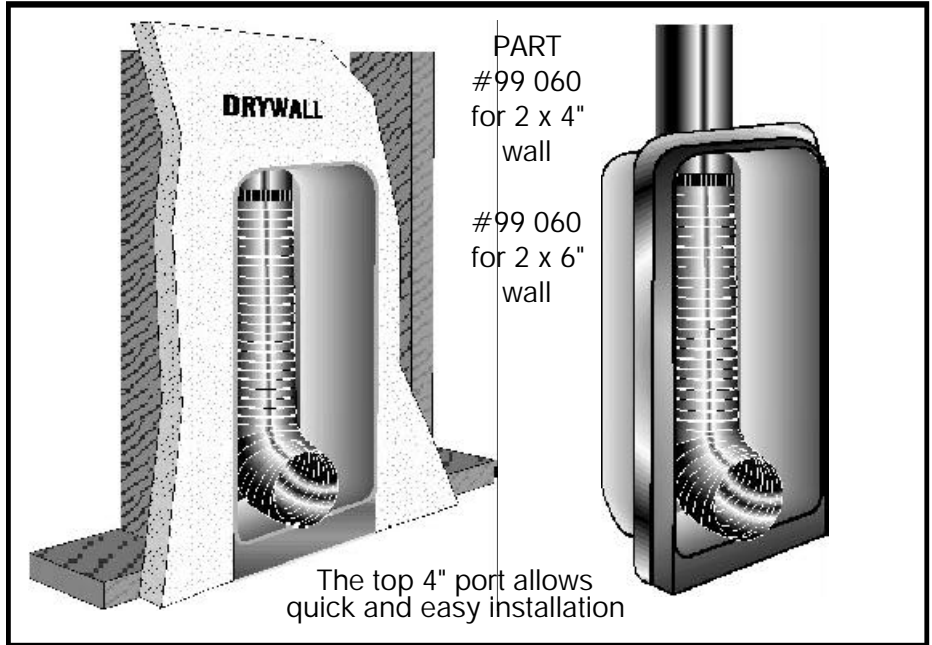
In the past, homeowners had to put up with inefficient venting of their dryer exhaust due to numerous friction-causing bends or kinks in the flex duct hose. These restrictive airflow bends kept the appliance far away from the wall and are the primary source of lint buildup in the flex duct, which creates a fire hazard.

**The Recessed Dryer Vent Box** eliminates the inefficient connection of dryer vents. The rectangular galvanized metal box installs easily between 16" center studs and is manufactured with a dry-wall stop for proper finishing.

**The Recessed Dryer Vent Box** features a port designed to accept 4" diameter snaplock pipe for venting to the exterior wall, roof or floor. The port covers are easily removed for snaplock pipe penetration and quick installation.

Similar to the commonly used recessed washing machine connection box, our **Recessed Dryer Vent Box** will provide many benefits to the contractor and homeowner:

- **No more restrictive bends in the flex duct**
- **Saves space, Saves energy**
- **Reduces fire hazard**
- **Less drying time = improved dryer efficiency**
- **Dryer can be installed against the wall**
- **22 Ga. Aluminized Steel Box**  
**Safe, rigid, rust free and paintable)**



PROJECT	DATE	SUBMITTED BY	CONTRACTOR
---------	------	--------------	------------

**AMERICAN ALDES VENTILATION CORPORATION**  
 4537 NORTHGATE COURT  
 SARASOTA, FL 34234-2124, USA  
 Tel: 941 • 351- 3441  
 Fax: 941 • 351- 3442  
 http://www.aldes-us.com  
 e-mail: info@aldes-us.com

